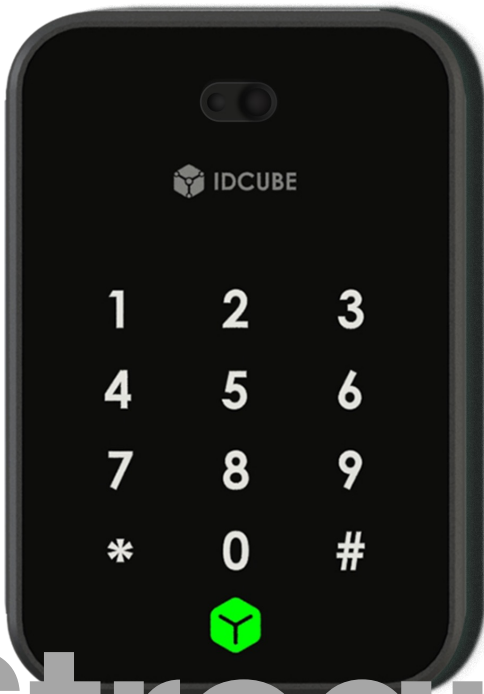


AXS +

Pioneering Access Control Reader



Streamline



IDCUBE's AXS+ is the industry's only reader in its category to support all forms of virtual and digital credentials: smartcards, classic & dynamic QR codes, mobile credentials*, and PIN. The reader design incorporates the dynamic requirements of short-term & long-term users as well as ease of credential issuance & distribution.

The reader is best suited for smart spaces due to their ever-increasing demand for virtual credentials. Some use-case scenarios are Stadiums, Coworking Spaces, Business Parks, Gated Communities, and Corporate Offices.

With their aesthetic, sleek, and convenient form, the AXS+ readers fill all the checkboxes needed for an ideal contemporary smart-space experience. They are readily compatible with any PACS controller supporting OSDP and Wiegand as the communication interface. Both variants (Mullion and Gang box) offer unparalleled flexibility and scale to the dynamic nature of future-ready organizations.

Benefits

Sleek & ergonomic design

Elevate your space with a sleek smart card reader featuring an integrated QR Code scanner. The glass finish adds a touch of sophistication, making your facility not just secure but visually impressive.

Secure access

Unleash secure access with AXS+ access control readers. Our reader's cutting-edge algorithm decrypts ever-changing codes every 5 seconds, ensuring unparalleled security against cloning and reuse.

Ease of use

The intuitiveness of QR Code is its biggest advantage, as people are already familiar with using QR Code in public transit systems or airports, making it user-friendly without needing any training.

Available in different sizes & features

AXS+ is available in both Mullion mount and gang box sizes, with various combinations of a smartcard reader, touch PIN pad, and QR code scanner.

Waterproof & rugged

AXS+ has IP65-rated housing, making it suitable for indoor and outdoor installations with high-temperature tolerance.

Universal device compatibility

AXS+ support for dynamic QR codes as credentials allows for Universal compatibility with all mobile devices, surpassing limitations tied to regions, operating systems, manufacturers, and device types.

Slash cost

Cut credential costs by 90% with AXS+. Enjoy automated mobile credential issuance and revocation, streamlining access management.

Visitor Access

Simplify visitor access to facilities via AXS+ as a single reader for visitor and occupant credentials.

Secured Communication

AXS+ supports OSDP, OSDP-SC (Secure Channel), and legacy Wiegand protocols for secure communication and enhanced system security.

Go-Green

Simplify your organization's transition to sustainability with AXS+. Reduce your carbon footprint by eliminating plastic and adopting Virtual & Mobile credentials.

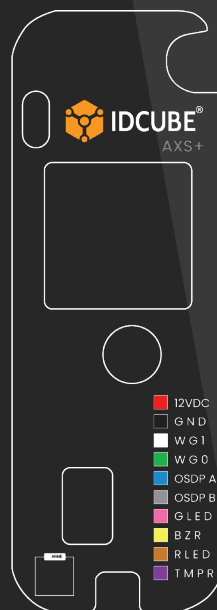
Easy Integrations

Integrate dynamic QR Codes seamlessly into customer apps for maintenance-free access, contrasting with time-consuming NFC/BLE integration that demands continual upgrades with OS changes.

Easily configure and upgrade

AXS+ can be easily configured and upgraded through a mobile app and Bluetooth (BLE) communication, offering flexibility and scalability as security needs change.

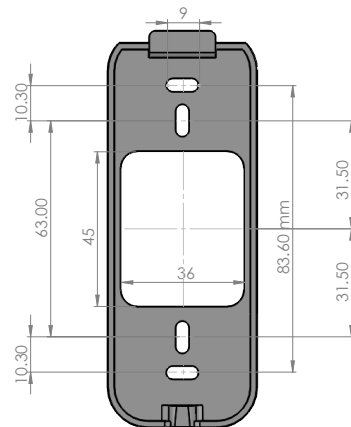
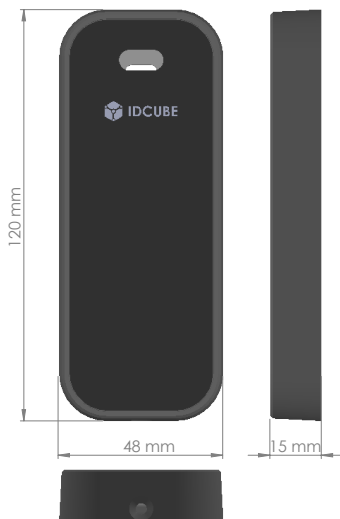
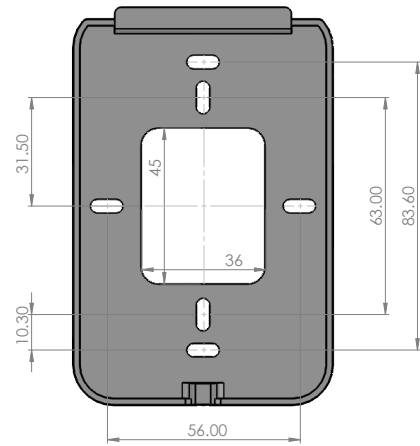
Color code




Pigtail	Description
Red	12 VDC
Black	Ground
White	Wiegand D1
Green	Wiegand D0
Blue	OSDP-A
Grey	OSDP-B
Pink	Green LED
Yellow	Buzzer
Brown	Red LED
Violet	Tamper

Warning: Wiring the reader incorrectly may permanently damage the reader.

Dimensions



Technical specifications

Model numbers (AXS+)	MNND	MQND	GNND	GQND	GNKD	GQKD
Reader images						
13.56 MHz / NFC credential compatibility	MIFARE Mini, MIFARE 1K, MIFARE 4K, MIFARE Ultralight, MIFARE DESFire EV1/EV2, NFC					
QR code symbologies*	2D: PDF417, QR Code, Micro QR, Data Matrix 1D: Code 128, EAN-13, EAN-8, Code 39, UPC-A, UPC-E, Codabar, Interleaved 2 of 5, ITF-6, ITF-14, ISBN, ISSN, Code 93, UCC/EAN-128, GS1 Databar, Matrix 2 of 5, Code 11, Industrial 2 of 5, Standard 2 of 5, AIM128, Plessey, MSI-Plessey					
Typical read range	MIFARE Classic, MIFARE DESFire EV1/EV2 & ISO14443A Single Technology Cards – 1.6 to 4 in (4 to 10 cm) Dynamic QR code – 10 to 50 cm Classic QR read range – 10 to 50 cm <small>Test device: iPhone 14, actual QR code size 40mm x 40mm (6.01 screen size)</small>					
QR code image sensor/focusing*	640*480 CMOS / Red LED (625nm)					
QR code sensor	–	Yes	–	Yes	–	Yes
Ingress & impact protection	IP65 & IK07					
Device management	IDCUBE AXS+ config app  					
Color	Black					
PIN pad	–				3x4 capacitive touch backlit	
Dimensions (W x D x H)	1.9 in x 4.7 in x 0.6 in (48 mm x 120 mm x 15 mm)		3.1 in x 4.7 in x 0.6 in (80 mm x 120 mm x 15 mm)			
Product weight	98 g		154 g			
Operating voltage	12V DC					
Current draw	Idle: 100 mA @ 12v Peak: 200 mA @ 12v					
Device input & output	Input: RLED, GLED, BUZZER (Active Low). Output: Tamper					
Operating temperature & humidity	-35° C to +70° C (-31° F to 158° F) 0% to 95% non-condensing					
Transmit frequency	13.56 MHz, and 2.4 GHz					
Communications & panel connection	Wiegand and RS-485 Half Duplex (OSDP) via Pigtail (18 in / 0.5 m)					
Mounting	Mullion mount (Doors and flat surfaces)		Gang box mount (Single gang switch box compatible)			
Housing materials	Polycarbonate – UL94 V0 with glass front					
Certifications	FCC, CE, RoHS Compliant					
Warranty	5 years					

* Applicable only with model number MQND, GQND, GQKD



USA

IDCUBE Corporation

20, Corporate Place South,
2nd Floor, Piscataway,
New Jersey – 08854 USA

Toll-free number: (833) 703-1765

691 S Milpitas Blvd Ste
217 Milpitas CA - 95035
USA

UAE

IDCUBE FZE

Techno Hub 1 - Office G 042
Dubai Silicon Oasis Dubai,
UAE

INDIA

IDCUBE Identification Systems (P) Ltd

B-19, Sector-2, Noida - 201301
Uttar Pradesh,
INDIA

Phone: (120)-4130715